

ENGINEER

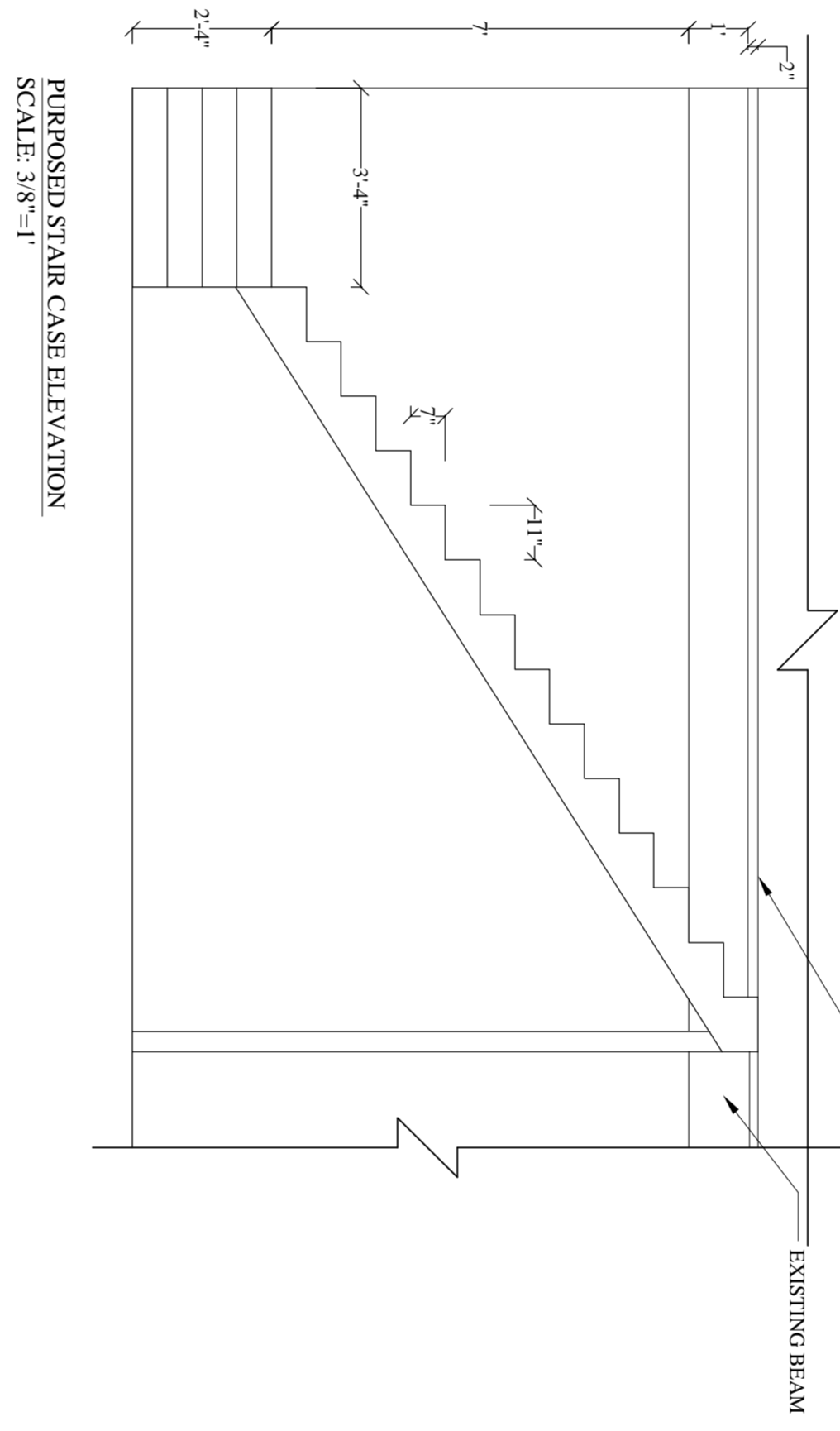
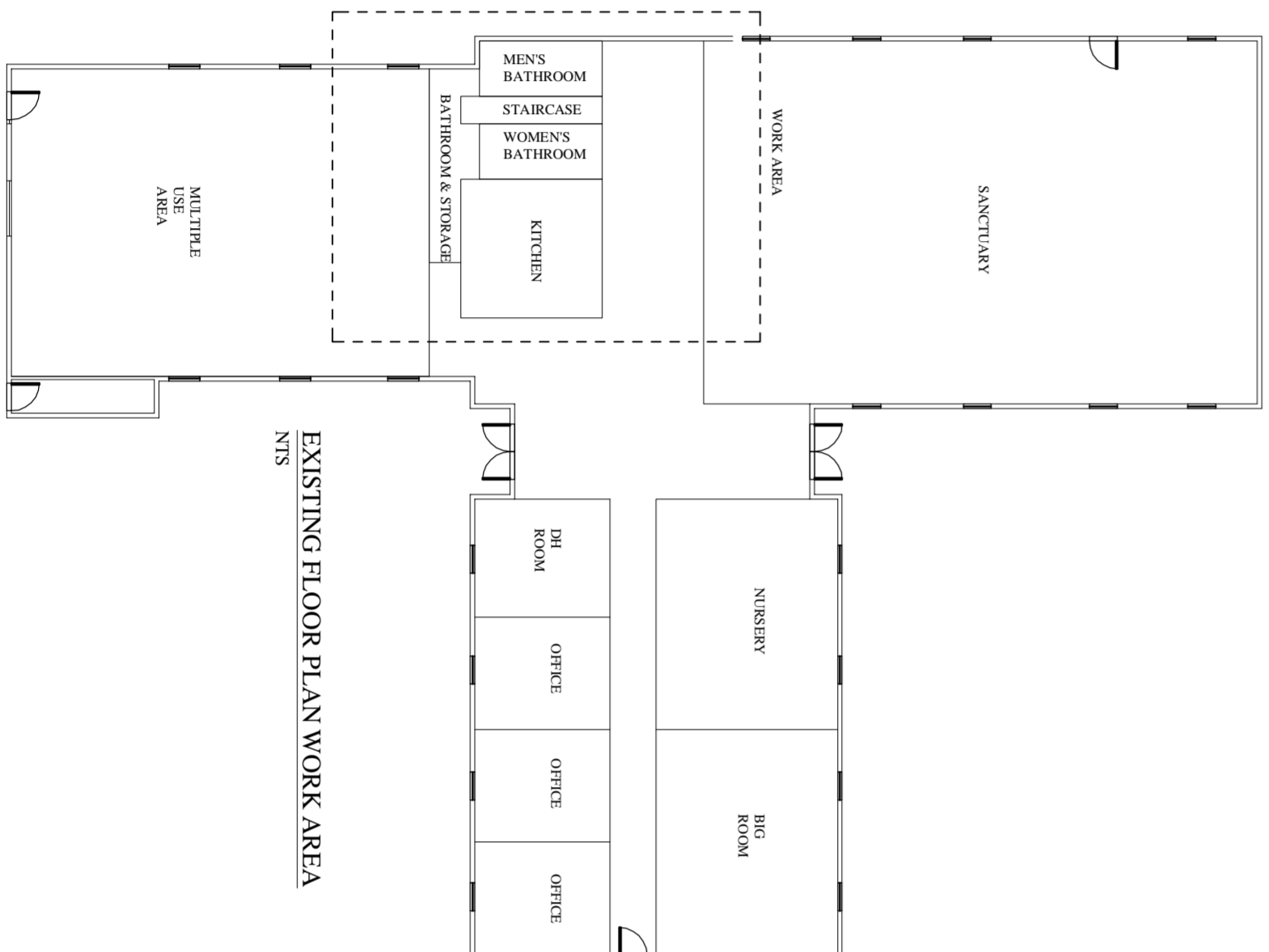
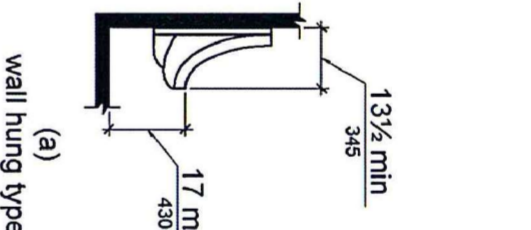
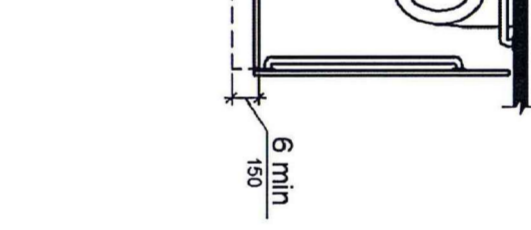
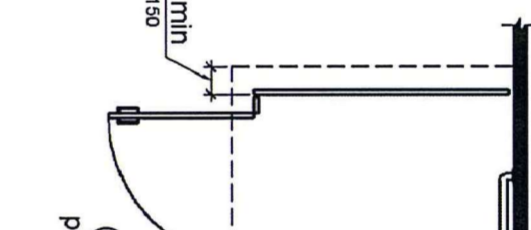
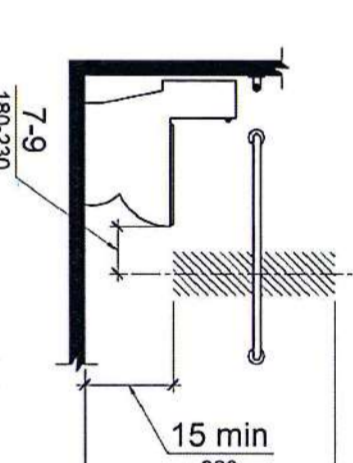
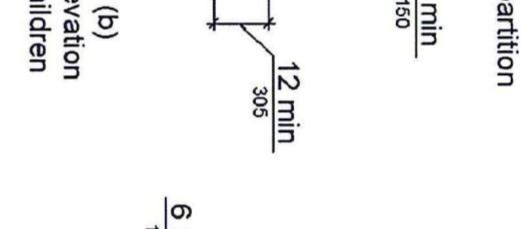
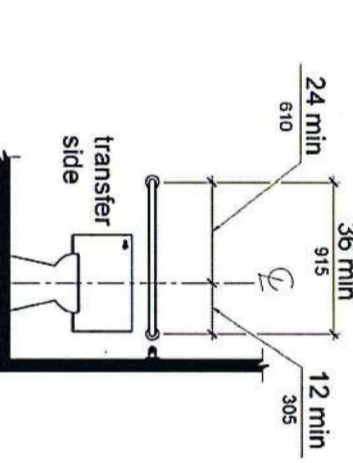
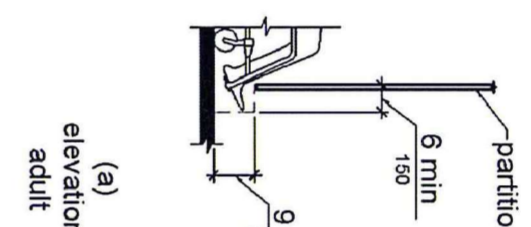
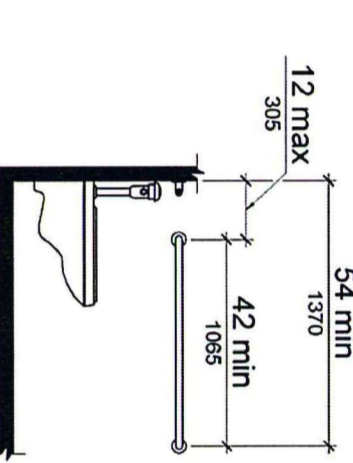
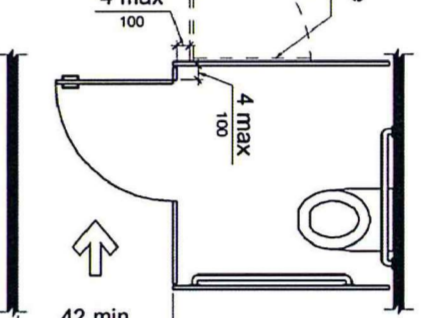
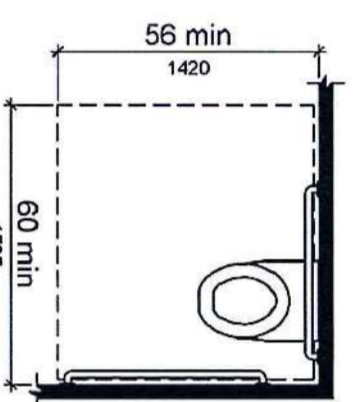
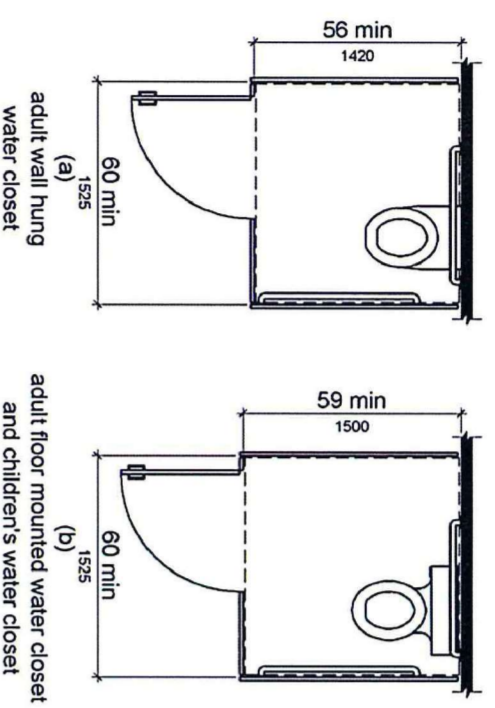
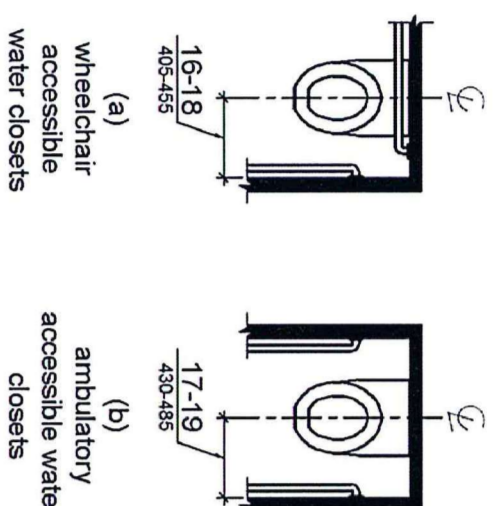
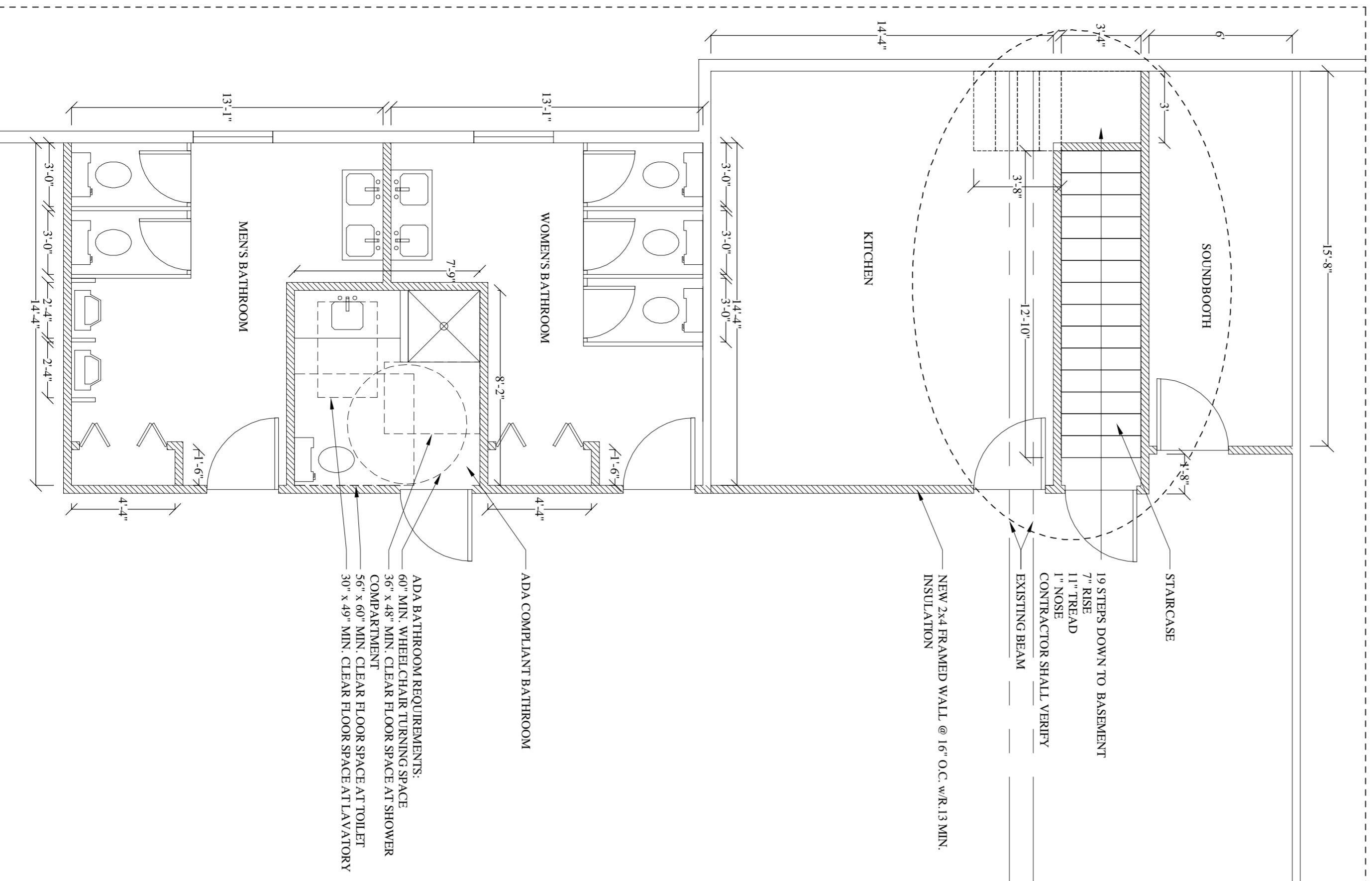
McMANUS ENGINEERING GROUP

189 CEMETERY RD. FLY CREEK, NY 13337

PH: (607) 547-6085

JON McMANUS, P.E.
NYS LICENSE # 0894918

TO THE BEST OF MY KNOWLEDGE, BELIEF AND PROFESSIONAL JUDGEMENT, THESE PLANS AND SPECIFICATIONS ARE IN COMPLIANCE WITH THE NYS RESIDENTIAL BUILDING CODE AND ENERGY CODE.



GENERAL NOTES AND SPECIFICATIONS:

1. ALL NEW CONSTRUCTIONS SHALL COMPLY WITH THE LATEST LOCAL, STATE, AND FEDERAL BUILDING CODE AND GENERALLY ACCEPTED STANDARDS IN THE TRADES.
2. THE CONTRACTOR SHALL VERIFY ALL DIMENSIONS AND CONDITIONS PRIOR TO START OF WORK AND NOTIFY ENGINEER OF ANY DISCREPANCIES.
3. THE CONTRACTOR IS RESPONSIBLE FOR ALL CONSTRUCTION TECHNIQUES, PROCEDURES, SEQUENCING, MEANS, AND METHODS FOR THE WORK OUTLINED IN THESE PLANS.
4. ALL DIMENSIONS ON PLANS ARE SHOWN FACE TO FACE OF RIGID FRAMING, CONCRETE, AND CONCRETE FORMS, BEAMS, DOORS AND WINDOWS ARE DIMENSIONED TO CENTERLINE.
5. THE OWNER, CONTRACTOR IS RESPONSIBLE FOR OBTAINING AND HAVING FOR ALL REQUIRED LOCAL, STATE, AND FEDERAL PERMITS AND INSPECTIONS.
6. ALL DIMENSIONS AS A RESULT OF CONSTRUCTION SHALL BE DIMENSIONED TO FACE OF FINISHED SURFACES UNLESS OTHERWISE NOTED.
7. ALL STRUCTURAL LUMBER SHALL BE WESTERN SPRUCE, DOUGLAS FIR, OR PRESSURE TREATED SOUTHERN YELLOW PINE WITH A MINIMUM FIBER STRESS RATING OF 1200 PSI AND A MINIMUM GRADE OF #2.
8. THE CONTRACTOR IS RESPONSIBLE FOR ALL TEMPORARY BRACING AND/OR SHORING NECESSARY TO RESIST ALL LOADS THAT MAY OCCUR AS A RESULT OF CONSTRUCTION PRACTICES.
9. THE CONTRACTOR IS RESPONSIBLE FOR PROVIDING AND MAINTAINING ALL NECESSARY TEMPORARY PROVISION AND SEEDMENT CONTROL MEASURES THROUGHOUT THE DURATION OF CONSTRUCTION. SITE DISTURBANCE SHALL BE KEPT TO A MINIMUM.
10. ALL EXTERIOR WALLS SHALL BE 7'-6" AND INTERIOR WALLS SHALL BE 2'-4" UNLESS OTHERWISE NOTED. FRAMING SHALL BE 16" O.C. MAX OR NOTED. ALL INTERIOR WALLS SHALL HAVE A MIN. R-13 INSULATION.
11. ALL HEADERS SHALL BE 2"x8" MIN FOR ALL OPENINGS UP TO 5'-7" (2"x10" MIN FOR ALL OPENINGS FROM 5'-7" UP TO 6'-2" (2"x12" FOR ALL OTHER OPENINGS UP TO 12' OR AS OTHERWISE NOTED).
12. ALL WOOD MATERIALS IN CONTACT WITH CONCRETE SHALL BE PRESSURE TREATED.
13. PROVIDE BRICKING WHEN POSTS ARE LONGER THAN 10' PROVIDE A DOUBLE JOIST UNDER ALL PARTITIONS.
14. PROVIDE FLASHING AND ICE/WATER SHIELD AS REQUIRED.
15. ALL ELECTRICAL WORK SHALL BE IN ACCORDANCE WITH THE LATEST NYS CODES AND NER REQUIREMENTS. COORDINATE PER ALL APPLICABLE NYS REGULATIONS.
16. PORTABLE FIRE EXTINGUISHERS.
17. FURNISH AND LOCATE PORTABLE FIRE EXTINGUISHERS PER IRC SECTION 906, AS SHOWN ON THE PLANS AND AS DIRECTED BY THE LOCAL CODE ENFORCEMENT OFFICIAL.

- ### DOORS
1. LOCATE AND ORIENT DOORS AS SHOWN ON THE PLANS.
 2. ALL DOORS SHALL BE 3'-0" MIN. SWING OUTWARD UNLESS OTHERWISE NOTED.
 3. ALL EXIST DOORS SHALL BE 3'-0" MIN. SWING OUTWARD AND HAVE 1/2" MIN. CLEARANCE.

STAIRS AND RAILINGS:

- 101.1.2 WIDTH AND CAPACITY. THE REQUIRED CAPACITY OF STAIRWAYS SHALL BE DETERMINED AS SPECIFIED IN SECTION 1005.1, BUT THE MINIMUM WIDTH SHALL BE NOT LESS THAN 44 INCHES (1118 MM). SEE SECTION 1009.3 FOR ACCESSIBLE MEANS OF EGRESS STAIRWAYS.
- 101.1.3 HEADROOM. STAIRWAYS SHALL HAVE A HEADROOM CLEARANCE OF NOT LESS THAN 80 INCHES (2032 MM) MEASURED VERTICALLY FROM A LINE CONNECTING THE BOTTOM OF ONE TREAD TO THE BOTTOM OF THE TREAD ABOVE. THE MINIMUM CLEARANCE SHALL BE MAINTAINED THROUGHOUT THE ENTIRE STAIRWAY AND LANDING.
- 101.1.5 STAIR TREADS AND RISERS. STAIR TREADS AND RISERS SHALL COMPLY WITH SECTIONS 101.1.5.1 THROUGH 101.1.5.3.
 - 101.1.5.1 DIMENSION REFERENCE SURFACES. FOR THE PURPOSE OF THIS SECTION, ALL DIMENSIONS ARE EXCLUSIVE OF CARPETS, RUGS OR RUNNERS.
 - 101.1.5.2 RISER HEIGHT AND TREAD DEPTH. RISER HEIGHT SHALL BE MEASURED VERTICALLY BETWEEN THE NOSINGS OF ADJACENT TREADS. REGULAR TREAD DEPTH SHALL BE 11 INCHES (279 MM) MINIMUM MEASURED HORIZONTALLY BETWEEN THE VERTICAL PLANES OF THE FOREMOST PROJECTIONS OF ADJACENT TREADS AND AT A RIGHT ANGLE TO THE TREADS. NOSING WINDER TREADS SHALL HAVE A MINIMUM TREAD DEPTH OF 11 INCHES (279 MM) BETWEEN THE VERTICAL PLANES OF THE FOREMOST PROJECTIONS OF ADJACENT TREADS AT THE INTERSECTIONS WITH THE WALKLINE AND A MINIMUM TREAD DEPTH OF 10 INCHES (254 MM) WITHIN THE CLEAR WIDTH OF THE STAIR.
 - 101.1.5.4 DIMENSIONAL UNIFORMITY. STAIR TREADS AND RISERS SHALL BE OF UNIFORM SIZE AND SHAPE. THE TOLERANCE BETWEEN THE LARGEST AND SMALLEST RISER HEIGHT OR BETWEEN THE LARGEST AND SMALLEST TREAD DEPTH SHALL NOT EXCEED 3/8 INCH (9.5 MM) IN ANY FLIGHT OF STAIRS. THE SMALLEST WINDER TREAD DEPTH AT THE WALKLINE WITHIN ANY FLIGHT OF STAIRS SHALL NOT EXCEED THE SMALLEST WINDER TREAD DEPTH AT THE WALKLINE WITHIN ANY OTHER FLIGHT OF STAIRS.
 - 101.1.5.5 NOSING AND RISER PROFILE. NOSINGS SHALL HAVE A CURVATURE OR BEVEL, OF NOT LESS THAN 1/16 INCH (1.6 MM) BUT NOT MORE THAN 9/16 INCH (14.3 MM) FROM THE FOREMOST PROJECTION OF THE TREAD. RISERS SHALL BE SOLID AND VERTICAL OR SLOPED UNDER THE TREAD ABOVE FROM THE UNDERSIDE OF THE NOSING ABOVE AT AN ANGLE NOT MORE THAN 30 DEGREES (0.52 RAD) FROM THE VERTICAL.
 - 101.1.5.5.1 NOSING PROJECTION SIZE. THE LEADING EDGE (NOSING) OF TREADS SHALL PROJECT NOT MORE THAN 1/4 INCHES (6.25 MM) BEYOND THE TREAD BELOW.

- 101.1.5.5.2 NOSING PROJECTION (UNIFORMITY). NOSING PROJECTIONS OF THE LEADING EDGES SHALL BE OF UNIFORM SIZE, INCLUDING THE PROJECTIONS OF THE NOSINGS LEADING EDGE OF THE FLOOR AT THE TOP OF A FLIGHT.
- 101.1.5.5.3 SOLID RISERS. RISERS SHALL BE SOLID.
- 101.1.6 STAIRWAY LANDINGS.
 - 101.1.6.1 THERE SHALL BE A FLOOR OR LANDING AT THE TOP AND BOTTOM OF EACH STAIRWAY. THE WIDTH OF LANDINGS SHALL BE NOT LESS THAN THE WIDTH OF STAIRWAYS SERVED. EVERY LANDING SHALL HAVE A MINIMUM WIDTH MEASURED PERPENDICULAR TO THE DIRECTION OF TRAVEL, EQUAL TO THE WIDTH OF THE STAIRWAY. THERE THE STAIRWAY HAS A STRAIGHT RUN THE DEPTH NEED NOT EXCEED 48 INCHES (1219 MM). DOORS OPENING ON TO A LANDING SHALL NOT REDUCE THE LANDING TO LESS THAN ONE-HALF THE REQUIRED WIDTH. WHEN FULLY OPEN THE DOOR SHALL NOT PROJECT MORE THAN 7 INCHES (178 MM) INTO THE LANDING. THE LANDING SHALL BE FINISHED WITH THE SAME FINISH AS THE STAIRWAYS. THE FINISH SHALL BE THE SAME AS THE FINISH OF THE STAIRWAYS.
 - 101.1.7 STAIRWAY CONSTRUCTION. STAIRWAYS SHALL BE BUILT OF MATERIALS CONSISTENT WITH THE TYPES PERMITTED FOR THE TYPE OF CONSTRUCTION OF THE BUILDING, EXCEPT THAT WOOD HANDRAILS SHALL BE PERMITTED FOR ALL TYPES OF CONSTRUCTION.
 - 101.1.8 HANDRAILS.
 - 101.1.8.1 Where required. Handrails serving stairways, ramps, stepped aisles and ramped aisles shall be adequate in strength and attachment in accordance with Section 1607.8. Handrails required for stairways by Section 1011.11.1 shall comply with Sections 1014.2 through 1014.9.
 - 101.1.8.2 Height. Handrail height, measured above stair nosings, or finish surface of ramp slope, shall be uniform, not less than 34 inches (864 mm) and not more than 38 inches (965 mm). Handrail height of alternating tread devices and slope indicators, measured above tread nosings, shall be uniform, not less than 30 inches (762 mm) and not more than 34 inches (864 mm). Exceptions:
 1. Where handrail fittings or handrails are used to provide continuous transition between flights, the fittings or handrails shall be permitted to exceed the maximum height.
 - 101.1.8.3 Handrail graspability. Required handrails shall comply with Section 1014.3.1 or shall provide equivalent graspability.
 - 101.1.8.3.1 Type I. Handrails with a circular cross section shall have an outside diameter of not less than 1 1/4 inches (32 mm) and not greater than 2 inches (51 mm). Where the handrail is not circular, it shall have a perimeter dimension of not less than 4 inches (102 mm) and not greater than 6 1/4 inches (160 mm) with a minimum cross-sectional dimension of 2 1/4 inches (57 mm) and a minimum cross-sectional dimension of 1 inch (25 mm). Edges shall have a minimum radius of 0.01 inch (0.25 mm).
 - 101.1.8.3.2 Type II. Handrails with a perimeter greater than 6 1/4 inches (160 mm) shall provide a graspable finger recess area on both sides of the profile. The finger recess shall begin within a distance of 3/4 inch (19 mm) measured vertically from the widest portion of the profile and achieve a depth of not less than 3/16 inch (6 mm) within 7/8 inch (22 mm) below the widest portion of the profile. This required depth shall continue for not less than 3/8 inch (10 mm) to a level that is not less than 1/4 inch (6 mm) below the widest portion of the profile. The width of the handrail above the recess shall be not less than 1 1/4 inches (32 mm) or not greater than 2 1/4 inches (60 mm). Edges shall have a minimum radius of 0.01 inch (0.25 mm).
 - 101.1.8.4 Continuity. Handrail gripping surfaces shall be continuous, without interruption by newel posts or other obstructions.
 - 101.1.8.5 Fittings. Handrails shall not rotate within their fittings.
 - 101.1.8.6 Handrail extensions. Handrails shall extend to a wall, guard or the walking surface or shall be continuous to an adjacent flight of stairs or ramp run. Where handrails are not continuous between flights, the handrails shall extend horizontally not less than 12 inches (305 mm) beyond the top riser and continue to slope for the depth of one tread beyond the bottom riser. At ramps where handrails are not continuous between runs, the handrails shall extend horizontally above the landing 12 inches (305 mm) minimum beyond the top and bottom of ramp runs. The extension of handrails shall be in the same direction of the flight of stairs or rampway.
 - 101.1.8.7 Clearance. Clear space between a handrail and a wall or other surface shall be not less than 1 1/2 inches (38 mm). A handrail and a wall or other surface adjacent to the handrail shall be free of any sharp or adverse elements.
 - 101.1.8.8 Projections. On ramps and on ramped aisles that are part of an accessible route, the clear width between handrails shall be 36 inches (914 mm) minimum. Projections into the required width of aisles, stairways and ramps at each side shall not exceed 4 1/2 inches (114 mm) at or below the handrail height. Projections into the required width shall not be limited above the minimum headroom height required in Section 101.3. Projections due to intermediate handrails shall not constitute a reduction in the clear width. Where a pair of intermediate handrails are provided, the clear width between the handrails shall be not less than 36 inches (914 mm) and not less than 1 1/4 inches (32 mm) between the handrails that is greater than 0 inches (0 mm). The width of the handrail shall be not less than 1 1/4 inches (32 mm) or not greater than 2 1/4 inches (60 mm). Edges shall have a minimum radius of 0.01 inch (0.25 mm).
 - 101.1.5.3 Height. Required guards shall be not less than 42 inches (1067 mm) high, measured vertically as follows:
 1. From the adjacent walking surface.
 2. On stairways and stepped aisles, from the line connecting the leading edges of the tread nosings.

- 101.5.1 Opening limitations. Required guards shall not have openings that allow passage of a sphere 4 inches (102 mm) in diameter from the walking surface to the required guard height.

FOR BIDDING

NOT FOR CONSTRUCTION

COMMUNITY BIBLE CHAPEL
577 GREENOUGH ROAD
COOPERSTOWN, NY
TAX ID # 130J51-3600

PLANS DETAILS
ELEVATION AND NOTES
SCALE: AS NOTED

10/19/20 - REV 0
JOB # 2020.055
1 OF 1 PAGES

This document was created with Win2PDF available at <http://www.win2pdf.com>.
The unregistered version of Win2PDF is for evaluation or non-commercial use only.
This page will not be added after purchasing Win2PDF.